

Eternal Lighting

Lighting Makes All The Difference

ULTRA170 RGBW

LED Ellipsoidal, 170W, Quadcolor RGBW 4-in-1



User Manual

**FOR YOUR OWN SAFETY, PLEASE READ THIS USER MANUAL CAREFULLY
BEFORE YOU INITIAL START-UP!**

TABLE OF CONTENTS

| | |
|--|---|
| INSTRUCTION | 2 |
| DESCRIPTION OF THE DEVICE | 2 |
| 1. Profile | 2 |
| 2. Overview | 2 |
| 3. Specification data | 2 |
| 4. Photographic chart | 3 |
| 5. Safety warning | 3 |
| Warning | 3 |
| Note | 3 |
| INSTALLATION | 4 |
| 1. Installing | 4 |
| 2. DMX 512 connection | 5 |
| 3. Connection with mains | 6 |
| 4. The use of gobo frame | 6 |
| 5. The use of gobo frame | 6 |
| 6. Use iris | 7 |
| 7. Replacing fuse | 7 |
| 8. Focus | 7 |
| OPERATION | 8 |
| 1. Description of the keys | 8 |
| 2. Menu | 8 |
| 3. Basic setting | 8 |
| 4. DMX protocol | 8 |
| APPENDIX | 9 |
| Problem and solution | 9 |

INTRODUCTION

Thank you for having chosen a led profile color spot 170 You will see you have acquired a powerful and versatile device.

Unpack your led profile color spot170

Delivery includes

| | |
|-------------|-----|
| Gobo frame | 1PC |
| color frame | 1PC |
| DMX CABLE | 1PC |
| Power wire | 1PC |

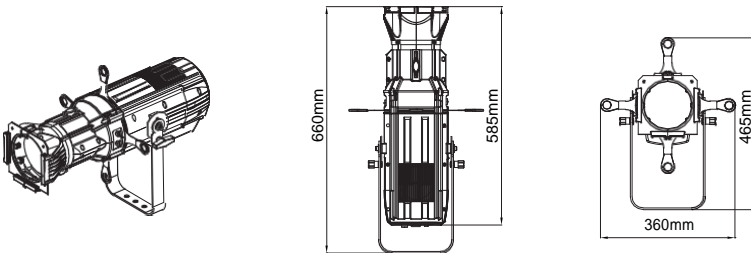
DESCRIPTION OF THE DEVICE.

1. Profile

With the idea of energy saving and environment protection, the device use lower power loss and extremely high efficiency led. The device housing cover is made of used the new high strength heat resistance engineering plastics, with beautiful shape and smooth lines. The designing and manufacturing is in compliance with the IEC standard. The device is suitable in the large-scale theatrical performance, the theater, the performance hall, the bar, night club and so on.

The product conforms to the international standard DMX512 agreement completely, the device can be controlled in single, and also be controlled in many units.

2. Overview

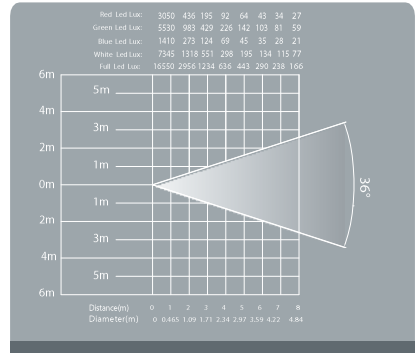
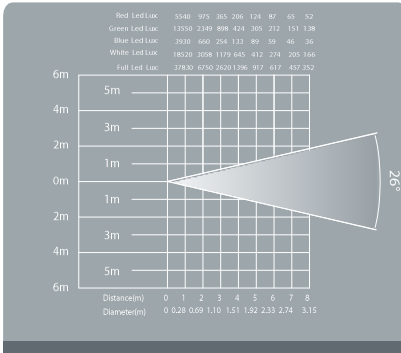
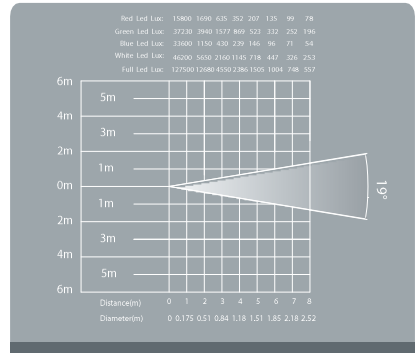
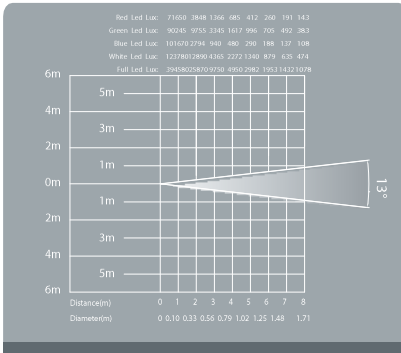


3. SPECIFICATION

- Lamp: 4colors in 1 led ,170W
- Power Supply: AC100V-240V,50HZ/60HZ
- Power consumption: 200W
- 9 dmx control channels
- color temperature can be adjusted, from 3000K to 7000K

- Fan speed automatic detection system
- Small volume, lightweight
- High quality optical system
- Different lens available (13°/19°/26°/36°)
- N.W.: 6.35kgs,

4. Photographic chart



5. Safety warning

① warning:

- Every person involved with the installation, operation and maintenance of this device has to be qualified
- User must follow the instructions of this manual
- Unqualified person can not open the housing cover and operate the device, or the dealer will not accept liability for any resulting defects or problems.
- The device against rain and moisture

② Warning notes:

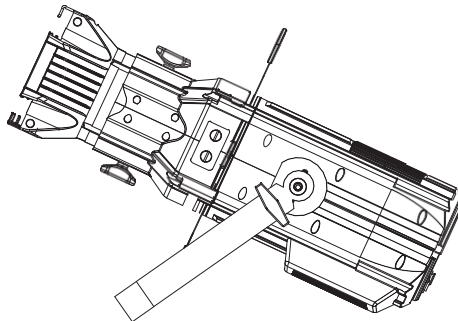
- Power supply: AC100V-240V/50HZ-60HZ

- Make sure the power switch is off, the power plug, outlet and the earth connection is in well condition before connecting the device with the mains.
- Please use qualified power plug and outlet. Never connect the power cord of this device with other electrical equipment.
- During move and installation, make sure the device not crashed with metal parts and other tough materials.
- Always disconnect from the mains, when the device is on installation and dismantled
- The minimum distance between light-output and the illuminated surface must be more than 50cm.
- The device must only be installed on a non-flammable surface. In order to safeguard sufficient ventilation, leave 50 cm of free space around the device. Please note that heat-sensitive objects may be deformed or damaged by the emitted heat.
- During the operation the housing becomes very hot! Do not operate the device for 15 minutes after switching off.
- The maximum ambient temperature $T_a = 45^{\circ}\text{C}$ must never be exceeded. The maximum housing temperature $T_b = 60^{\circ}\text{C}$ must never be exceeded.
- For indoors use.
- Replace any visible cracked protective shield, filters and lens.
- The protective shield, filters and lens will require weekly cleaning as smoke/fluid tends to building up residues, reducing the light output very quickly.

INSTALLATION

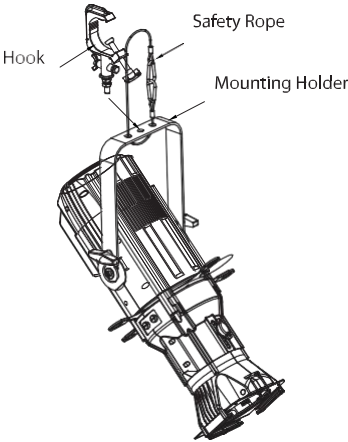
1. Installation

- When installation, keep the device far away the heat sensitive objects and explosives sensitive objects, leave at least 50CM of free space around the device.
- When the device put on horizontal place, the device must be placed directly on the place, and devices must be secured with a mounting holder.



- When rigging the devices on the truss and the head face to the floor,

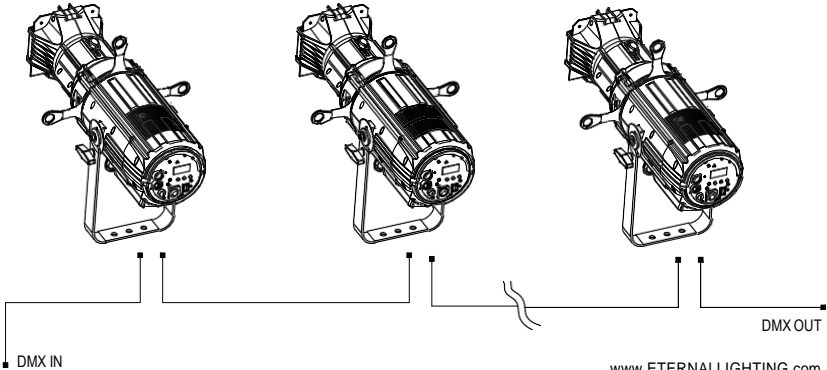
Insert the quick-lock fasteners of the first mounting holder into the respective holes on the bottom of the device. Tighten the quick-lock fasteners fully clockwise. Install the second mounting holder. And the safety rope must be used at same time.



● Please use qualified safety-rope, which can hold at least 10 times the weight of the fixture. You must only use safety-ropes with quick links with screw cap. Pull the safety-rope through the hole on the bottom of the base and over the trussing system etc. Insert the end in the quick link and tighten the fixation screw. A safety rope which already hold the strain of a crash or which is defective must not be used again.

2. Dmx512 connection

● Please use xlr-xlr wires connect the dmx output of the controller with the dmx input of the first device, and connect the dmx output of the first device with the dmx input of the second device, always connect one output with the input of the next device until all devices are connected.



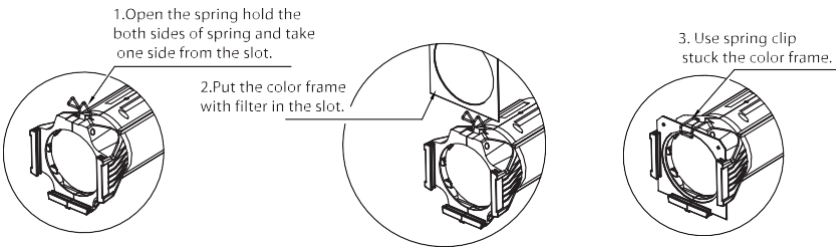
- Please use qualified xlr-xlr dmx cables.

3.Connection with mains

- The person involved with the power connection must be qualified, and has the electrical engineering certificate.
- Connect the device to the mains with the power plug.
- The earth has to be connected.
- Power consumption 200W, input power supply AC100V-240V, 50/60Hz.

4. The use of gobo frame

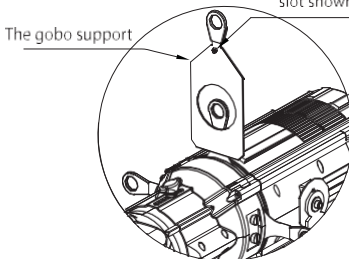
- Take out the gobo frame , loose the screws, insert the gobos and lock the screws again
- Insert the gobo in the slot.



5. The use of gobo frame

- Take out the gobo frame , loose the screws, insert the gobos and lock the screws again
- Insert the gobo in the slot.

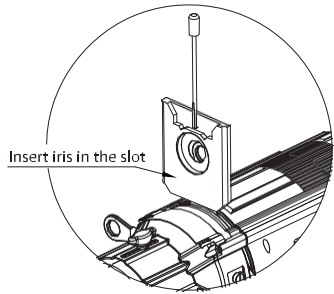
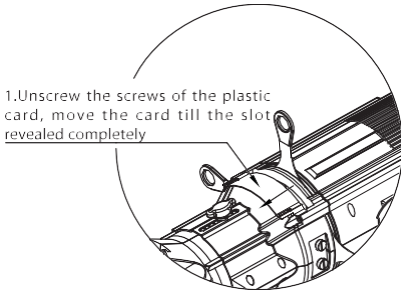
When you exchange the gobo,please insert it after unscrew the screw of the gobo,then tighten the screw again.Put the gobo in the slot shown in the picture.



B- Size 86MM Outer Size 50MM Max Image

6. Use iris

Iris is not included when the projector leave factory, user can purchase the iris if needed. Loose the screws and insert the iris.



7. Replacing fuse

- Before replacing the fuse, unplug mains lead.
- Procedure:

Step 1: Unscrew the fuseholder on the rearpanel with a fitting screwdriver from the housing (anti-clockwise).

Step 2: Remove the old fuse from the fuseholder.

Step 3: Install the new fuse in the fuseholder.

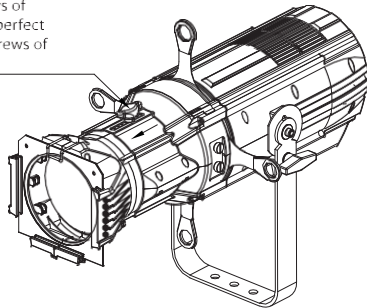
Step 4: Replace the fuseholder in the housing and fix it.

8. Focus

● The objective lens cylinder is usually shrinked before leaving factory, after connect the projector to the mains, user may loose the screws and pull out the lens cylinder, till the white light output circular is clearly presented, locking tightly the two screws again.

● When the projection distance is changed, user can follow previous operating steps, and focus the projectort.

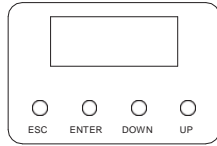
Unscrew the two screws of the lens,move lens in perfect position,tighten the screws of the lens again.



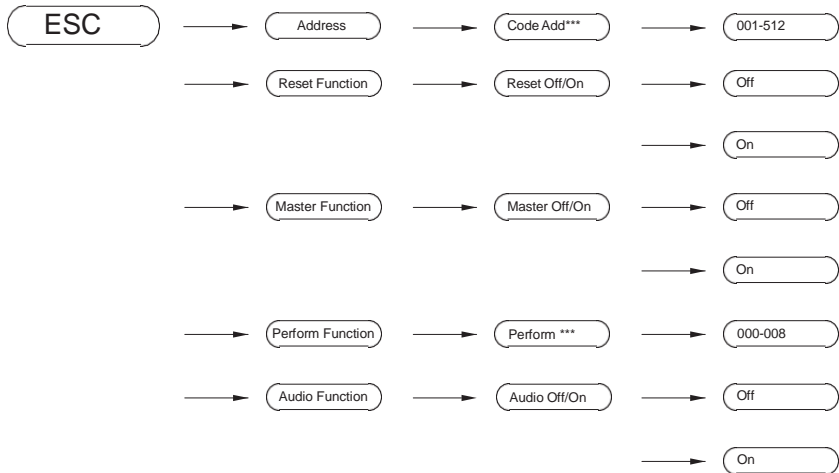
OPERATION

1. Description of the keys

- ESC;
- ENTER;
- DOWN;
- UP.



2. Menu



3. Basic setting.

The products address code settings are: [Address 001], when the boot show [Address 001].

- Press [ENTER] key to enter the [Code Add 001], then press the [DOWN] / [UP] key to set the desired address code value [001-512];
- Press [ESC] key to return, and then press [UP] key to [Rest Function], press [ENTER] to enter, usually, the menu is always set to [Rest Off], if necessary [Rest], press [UP] key once;
- Press [ESC] key to return, according to the [UP] key to [Master Function], then press the [ENTER] key to enter the [Master On / Off], by [UP] / [DOWN] button to complete the [Master On] or [Master Off] setting;
- Press [ESC] key to return, then press the [UP] key to [Perform Function], press [ENTER] key to enter the [Perform 000-008], by [UP] / [DOWN] keys to select the stored mode;
- Press [ESC] key to return, then press the [UP] key to [Audio Function], press [ENTER] key to enter [Audio On / Off], by [UP] / [DOWN] keys to set [Audio On] or [Audio Off];
- Press [ESC] key to return, then [UP] key to return to the start menu, that is show [Address 001-512];

4.Dmx protocol

| CHANNEL | CHANNEL DESCRIPTION | NUMERIC | EFFECT |
|---------|---------------------|----------|---------------------------------------|
| 1 | RED | 000--255 | LINEAR ADJUSTMENT (0-100%) |
| 2 | GREEN | 000--255 | LINEAR ADJUSTMENT (0-100%) |
| 3 | BLUE | 000--255 | LINEAR ADJUSTMENT (0-100%) |
| 4 | WHITE | 000--255 | LINEAR ADJUSTMENT (0-100%) |
| 5 | COLOR TEMPERATURE | 000 | BRIGHTEST LIGHT ,NO COLOR TEMPERATURE |
| 6 | | 001--255 | LINEAR ADJUSTMENT FROM 7000K TO3000K |
| | | 000 | OPEN |
| | STROBE | 001--127 | STROBE SPEED FROM FAST TO SLOW |
| | | 128--159 | CLOSING PLUSE IN SEQUENCES |
| | | 160--191 | OPENING PLUSE IN SEQUENCES |
| | | 192--255 | RANDOM STROBE SPEED FROM FAST TO SLOW |
| 7 | DIMMER INTENSITY | 000--255 | DIMMER INTENSITY(0-100%) |
| 8 | RAINBOW | 000--255 | RAINBOW EFFECT |
| 9 | DEMO | 000--255 | DEMO |

APPENDIX

Problem and solution

| Problem | Reason | Resolution |
|------------------------|----------------------------|--|
| Device not work | No power | AC100V-240V,50HZ/60HZ Check the power connection, and make sure device connect the mains in well condition. Check if switch is on Check if the fuse is gooc |
| Led bulb is off | led bulb damaged | Replacing led bulb |
| | Led driver board damaged | Replacing led driver board |
| | temperature swtich damaged | Replacing temperature switch |
| Fans not work | Fans damaged | replacing fans |

Caution:

- Unqualified person involved with installation, operation and maintenance of this device is prohibited.
- If any above mentioned problem happened, or unknown problem happened, please contact manufactory or distributor for assistance.