

# Eternal Lighting

Lighting Makes All The Difference

## UltraMini™

User Manual



## Introduction:

Thank you for your purchase. The UltraMini™ is a 50 Watt LED Gobo Projector.

**Unpacking:** Every UltraMini™ has been thoroughly tested and has been shipped in perfect operating condition. Carefully check the shipping carton for damage that may have occurred during shipping. If the carton appears to be damaged, carefully inspect your fixture for any damage and be sure all accessories necessary to operate the unit has arrived intact. In the case damage has been found or parts are missing, please contact the manufacturer or your dealer for further instructions. Do not return this unit to your dealer without first contacting them.

## Each UltraMini™ purchase includes:

- 1 UltraMini™ Gobo Projector
- 1 Power Cord
- 1 Gobo Holder
- 1 Gel Frame
- 4 Shutters
- 19° Degree Lens
- **Please Note: (26°, 36°, & 50° degree lenses are sold separately)**

## Additional item(s) sold separately:

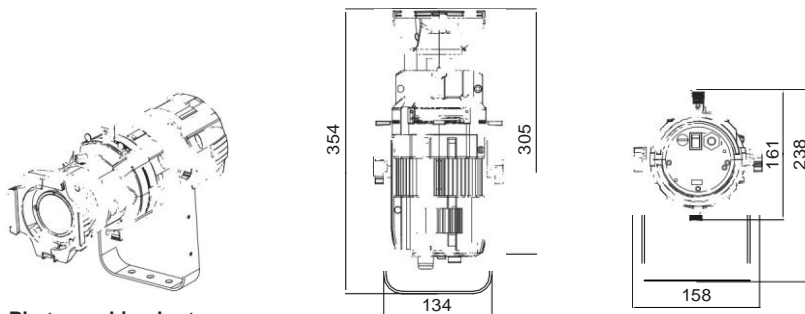
- Power Input to Power Output Power Cord (for power linking multiple units together)
- 26° Degree Lens with Barrel
- 36° Degree Lens with Barrel
- 50° Degree Lens with Barrel

## Features & Technical Specifications:

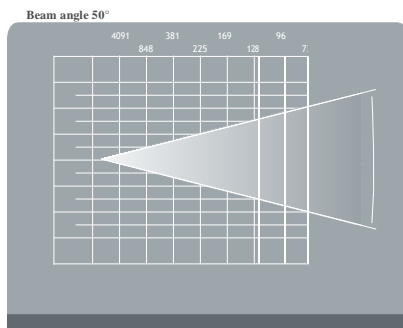
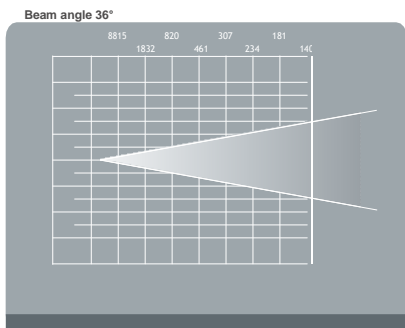
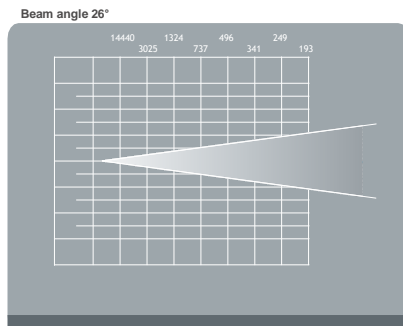
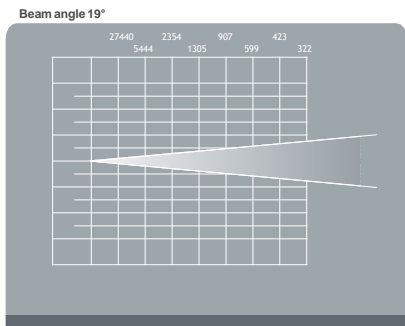
- Power Supply: AC100V-240V, 50/60Hz
- Power Consumption: 65W
- LED: 1set 50W White Color
- LED Color Temp: 3200K/5600K
- LED Average Lifespan: >50000 hrs
- Center Beam Lux at 1mtr projection distance:
  - 1) 19°: 12,500Lux
  - 2) 26°: 9,200Lux
  - 3) 36°: 7,650Lux
  - 4) 50°: 5,500Lux
- Optional Lens Available: 19°/26°/36°/50°
- High-quality optical system
- Glass reflector
- Housing: ABS Plastic
- Housing Color: Black
- Insulated handle

- 1 Brushless Quiet Fan Cool
- Strobe: 1-20 flash per second
- IP Rating: IP20
- Size (inches): 23.8"L x 10.6"W x 11"H
- Net Weight: 7.5 lbs
- Gobo Size: 59mm Outside and 18mm Viewable image

## Overview



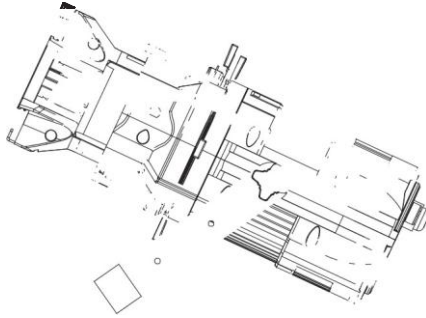
Photographic chart



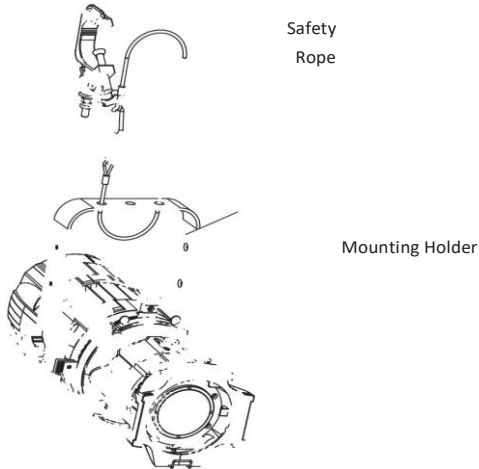
## INSTALLATION

When installing, keep the UltraMini™ far away the heat sensitive objects and explosives sensitive objects, leave at least 50CM of free space around the UltraMini™.

When the device put on horizontal place, the device must be placed directly in place, and devices must be secured with the mounting holder.



When rigging the UltraMini™ on truss, insert the quick- lock fasteners of the first mounting holder into the respective holes on the bottom of the UltraMini™. Tighten the quick-lock fasteners fully clockwise. Install the second mounting holder. And the safety rope must be used at same time.



Please use qualified safety-rope, which can hold at least 10 times the weight of the fixture. You must only use safety-ropes with quick links with screw cap. Pull the safety-rope through the hole on the bottom of the base and over the trussing system, etc. Insert the end in the quick link and tighten the fixation screw. A safety rope which already held the strain of a crash or which is defective must not be used again.

## How to Insert the Powercord into the UltraMini™:

### CONNECTION WITH THE MAINS

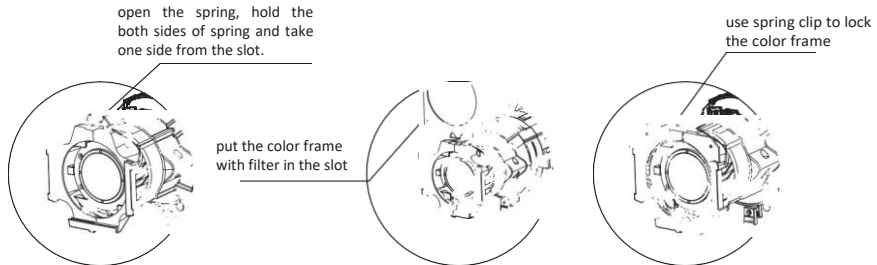
Pin 1 of power plug connects the "L" of powercord,

Pin 2 of power plug connects the "N" of powercord,

Pin 3 of power plug connects the "GN" of the power-cord.

### How to use the color frame

- Take out the color frame , loosen the screws, insert the color filter and lock the screws again
- Insert the color filter in the slot.

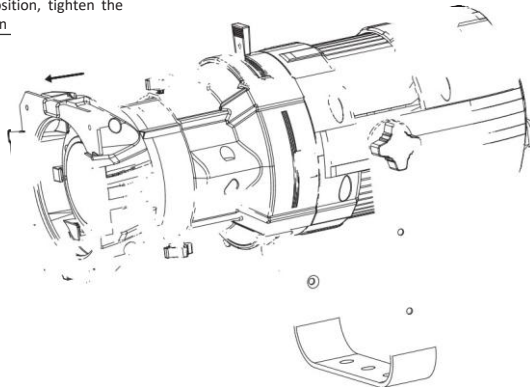


### Focus

To focus the gobo, loosen the knobs/screws and pull out the lens cylinder until the white light output image is clearly presented. Lock tightly the two knobs/screws again to hold in place.

When the projection distance is changed, user can follow previous operating steps, and focus the projector.

Unscrew the screws of the lens, move the lens in perfect position, tighten the screws of the lens again



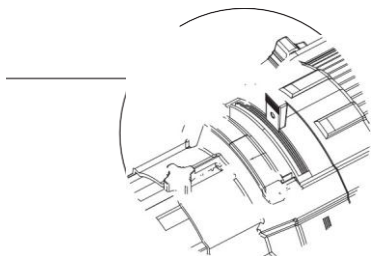
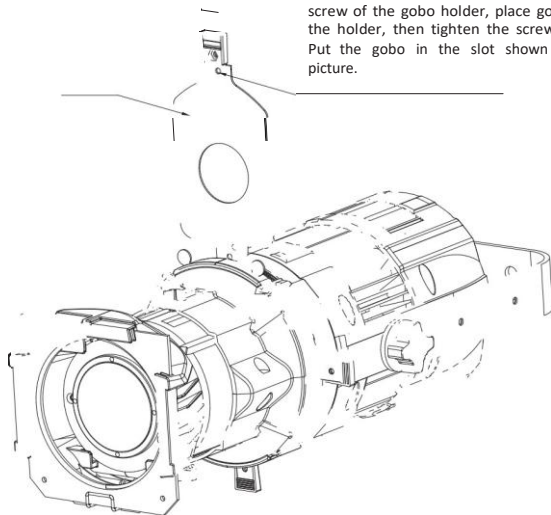
## The use of gobo frame

Takeout the gobo frame, loosen the screws, insert the gobos and lock the screws again

Insert the gobo into the slot

The gobo Holder

When you exchange the gobo, unscrew the screw of the gobo holder, place gobo into the holder, then tighten the screw again. Put the gobo in the slot shown in the picture.



## Problem and Solution

Problem	Reason	Resolution
Device not work	No power	AC100V-240V,50HZ/60HZ Check the power connection, and make sure device connect themains Is in well condition. Check if switch is on Check if the fuse is good.
Led bulb is off	led bulb damaged	Replacing led bulb
	Led driver board damaged	Replacing led driver board
	temperature switch damaged	Replacing temperature switch
Fans not work	Fans damaged	Replacing fans

### Replacing fuse

Before replacing the fuse, disconnect the powercord

Step 1: Unscrew the fuseholder on the rear panel with a fitting screwdriver from the housing (anti- clockwise)

Step 2: Remove the old fuse from the fuseholder

Step 3: Install the new fuse in the fuseholder

Step 4: Replace the fuseholder in the housing and fix it

**Unqualified** people involved with installation, operation and maintenance of the UltraMini™ is prohibited.

If any above mentioned problem happened, or unknown problem happened, please contact manufacture or distributor for assistance.

For more information, please contact Support by email at [support@eternallighting.com](mailto:support@eternallighting.com)